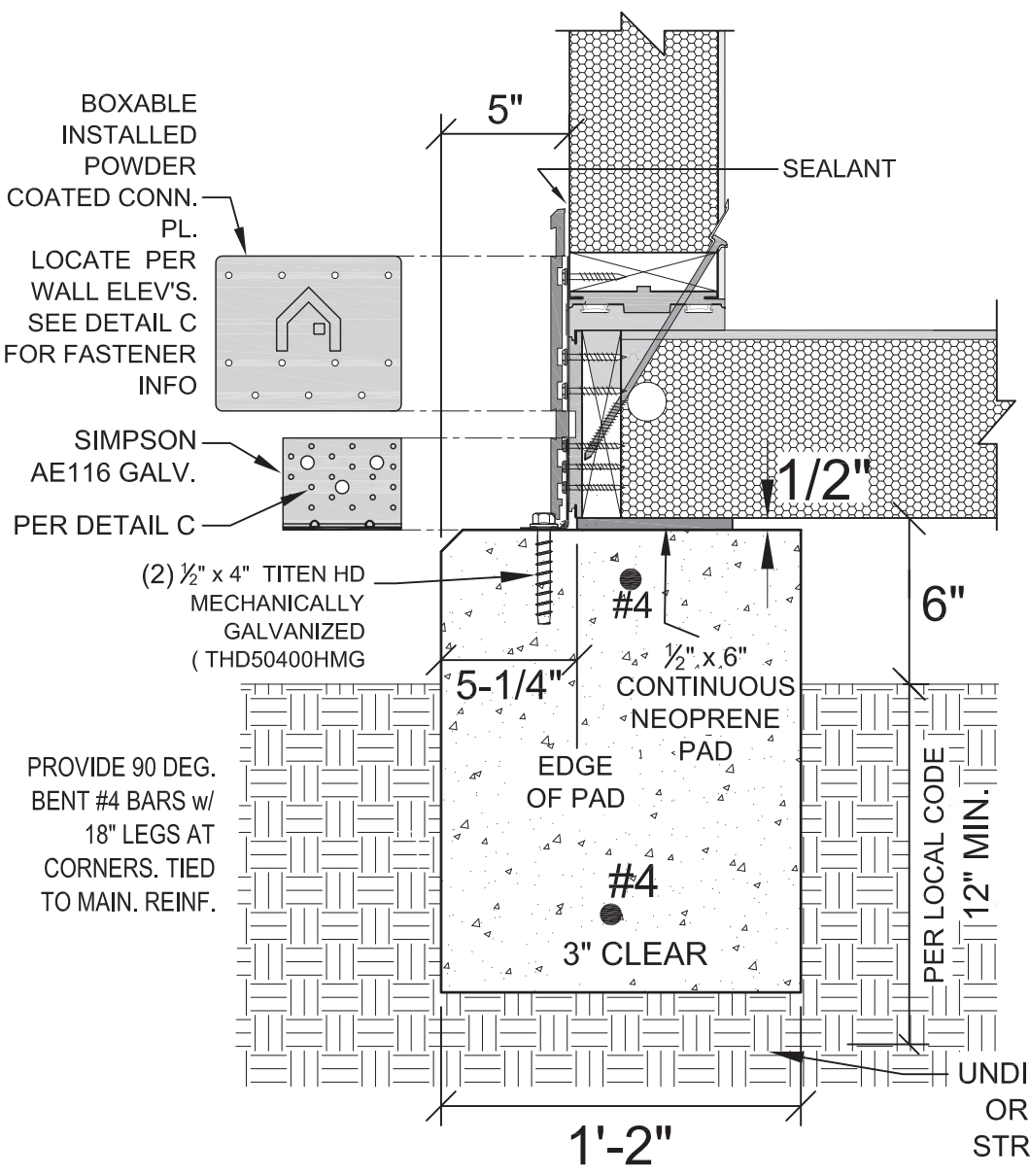


4

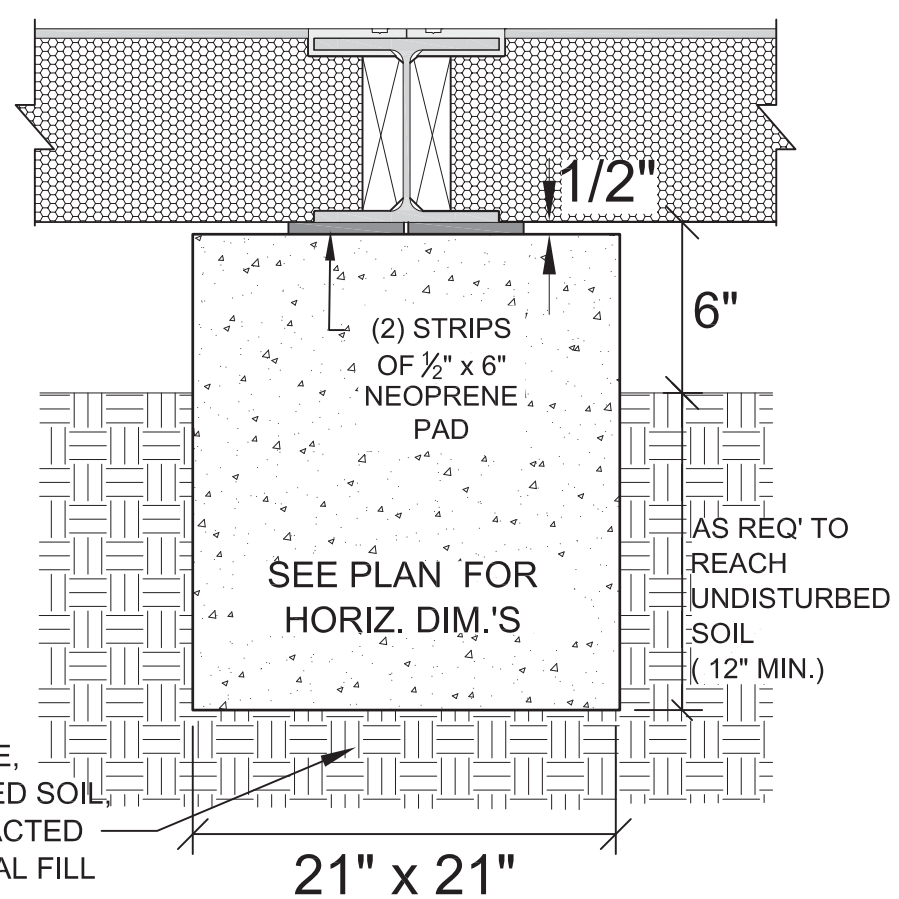
3

2

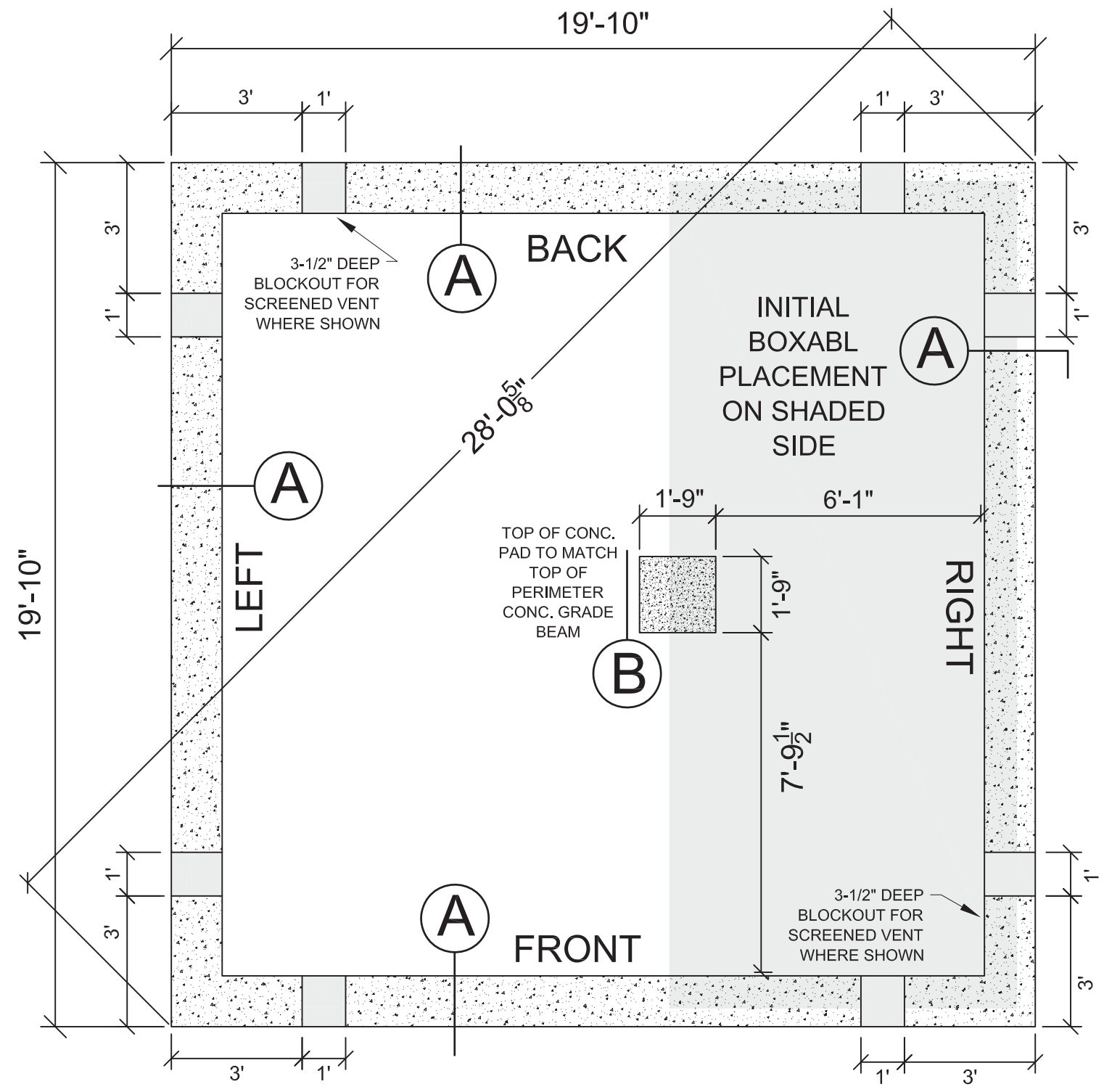
1



A TYPICAL PERIMETER FOOTING
SCALE: NONE



B INTERIOR BEAM SUPPORT
SCALE: NONE



FOUNDATION PLAN

NOTES:
TOP SURFACE OF PERIMETER CONCRETE GRADE BEAM SHALL BE FLAT AND LEVEL TO WITHIN 1/8" BETWEEN ANY TWO POINTS AROUND THE PERIMETER.

CONCRETE TO HAVE A 28 DAY COMPRESSIVE STRENGTH, $f_c = 2,500$ psi. REINFORCEMENT TO BE ASTM GR. 60

PROVIDE 90 DEG. BENT #4 BARS w/ 18" LEGS AT CORNERS. TIED TO MAIN. REINF.

PERIODICALLY CHECK EXPOSED ANCHORAGE HARDWARE FOR CORROSSION & REPLACE AS REQ'D

ASSUMED ALLOWABLE SOIL BEARING PRESURE = 1,500 psf. FOUNDATION IS NOT SUITABLE WHERE EXPANSIVE SOILS EXIST. OR SOILS SUBJECT TO LIQUEFACTION.

BOXABL
5345 East North Belt Road
N. Las Vegas, NV 89115
www.BOXABL.COM

LOCATION:

MODEL:
1 STORY BOXABL CASITA

NOTES:

GRADE BEAM FOUNDATION

CONCEPTUAL,
NOT FOR
CONSTRUCTION

PROPRIETARY AND CONFIDENTIAL
THE INFORMATION CONTAINED IN THIS DRAWING IS THE SOLE PROPERTY OF BOXABL INC. ANY REPRODUCTION IN PART OR AS A WHOLE WITHOUT THE WRITTEN PERMISSION OF BOXABL INC. IS PROHIBITED.

SCALE: NONE

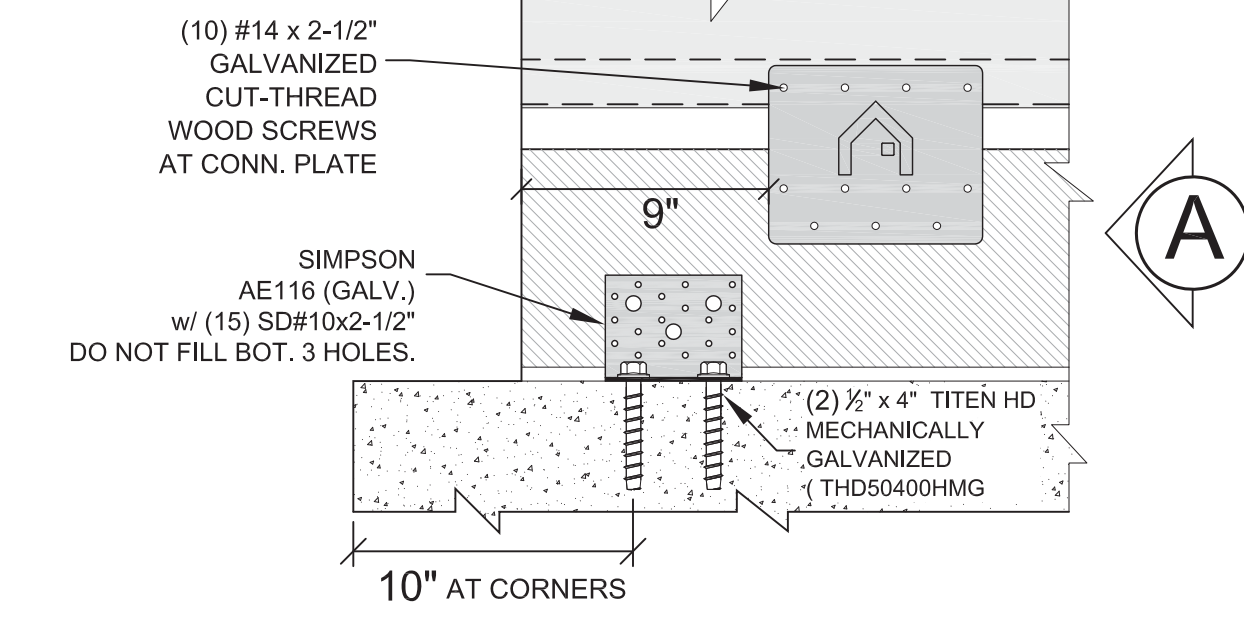
DRAWN BY: MN

REVIEWED BY:

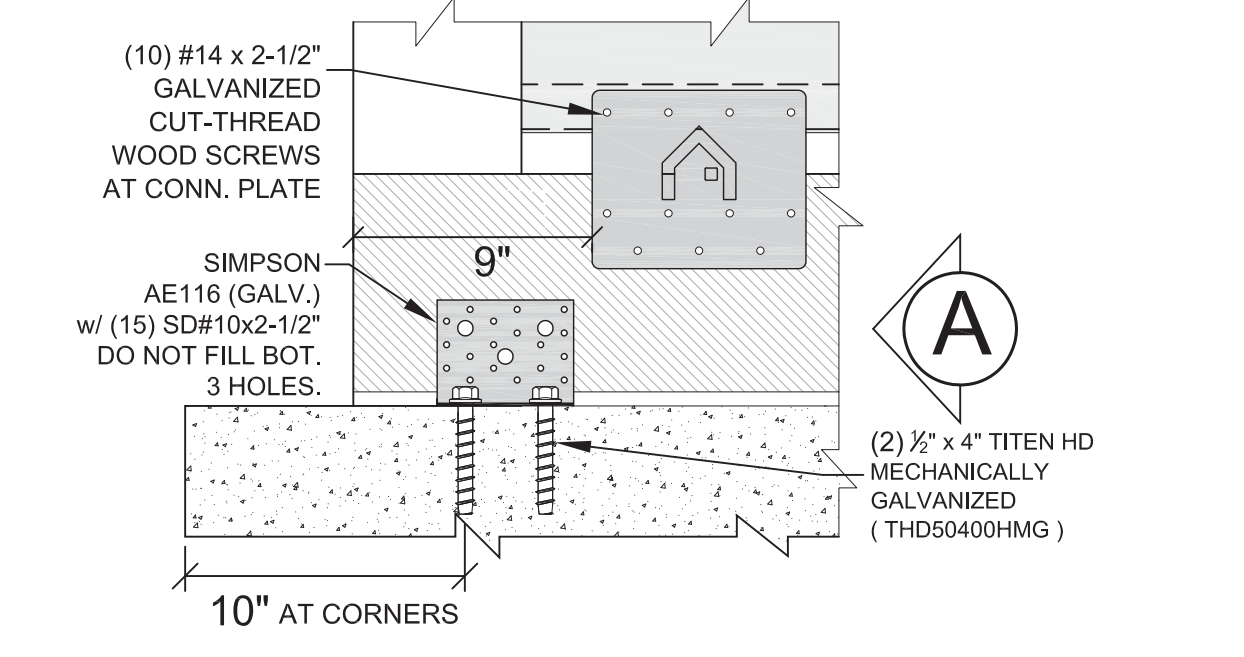
REVISION DATE:

ISSUE DATE: 10-14-22

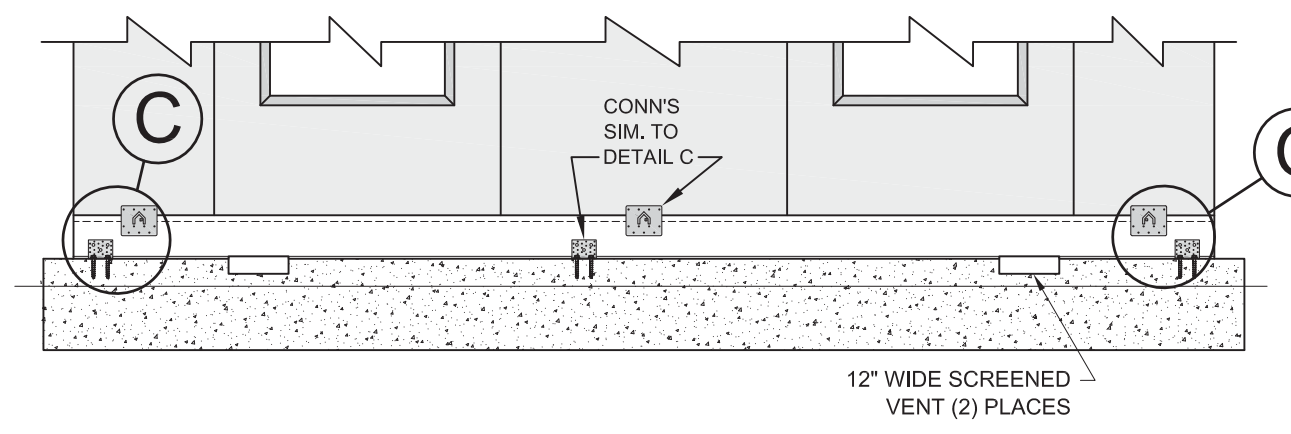
SHEET: **F1**



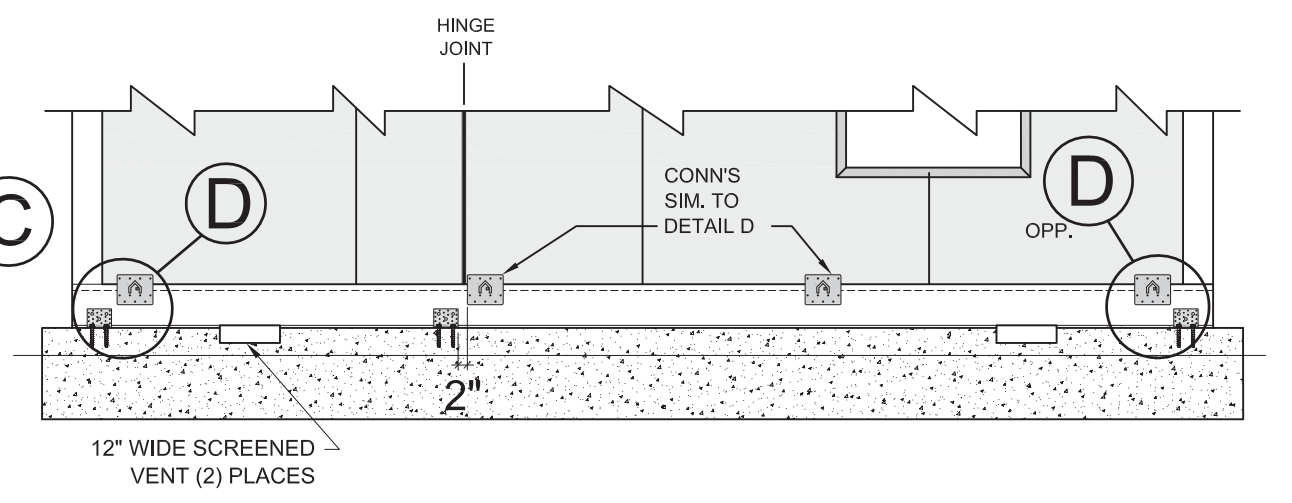
C HOLD-DOWN'S AT LEFT & RIGHT WALL



D HOLD-DOWN'S AT LEFT & RIGHT WALL

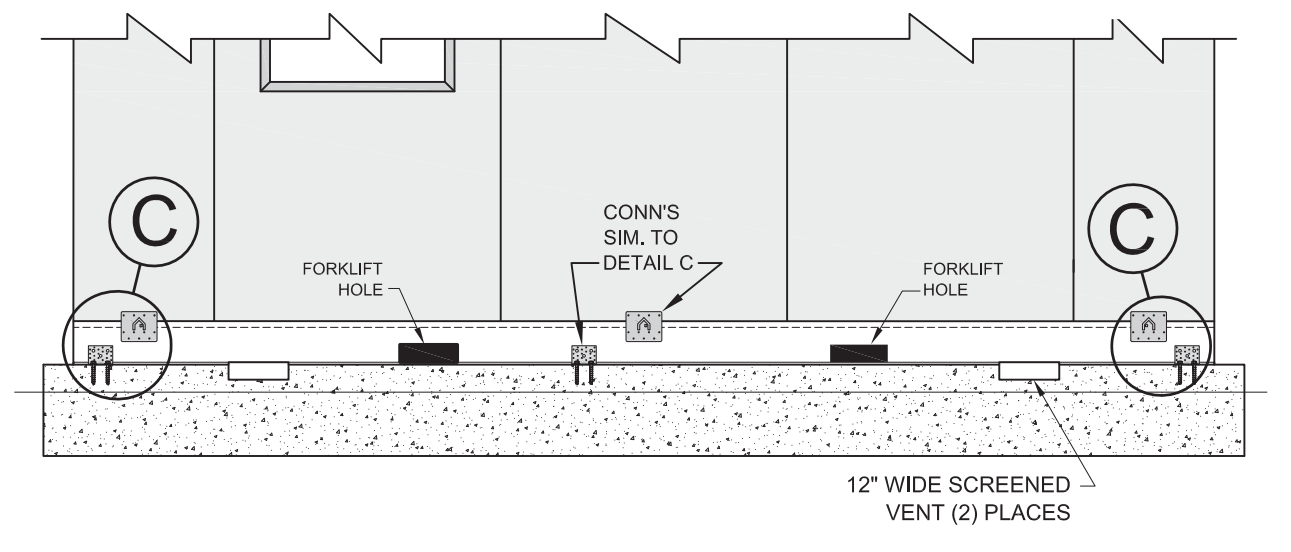


LEFT WALL

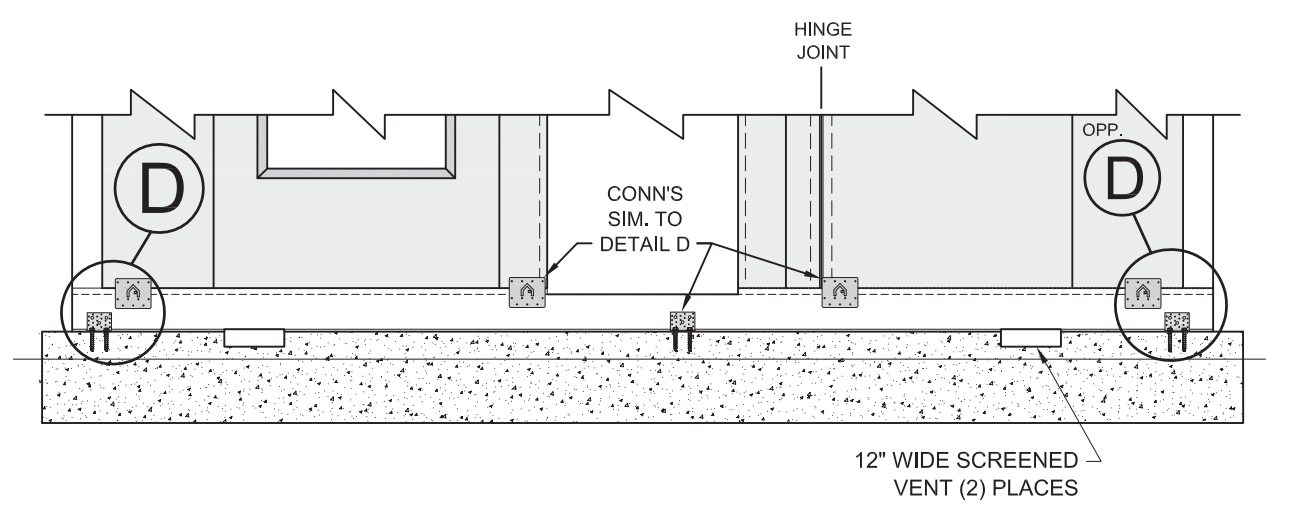


BACK WALL

THE SPECIFIC NUMBER AND SPACING OF CONNECTION PLATES SHOWN SHOULD BE CONSIDERED GENERIC & CONCEPTUAL UNTIL DETERMINED BY A LICENSED STRUCTURAL ENGINEER TO ACCOMMODATE LOCAL WIND AND SEISMIC CONDITIONS



RIGHT WALL



FRONT WALL