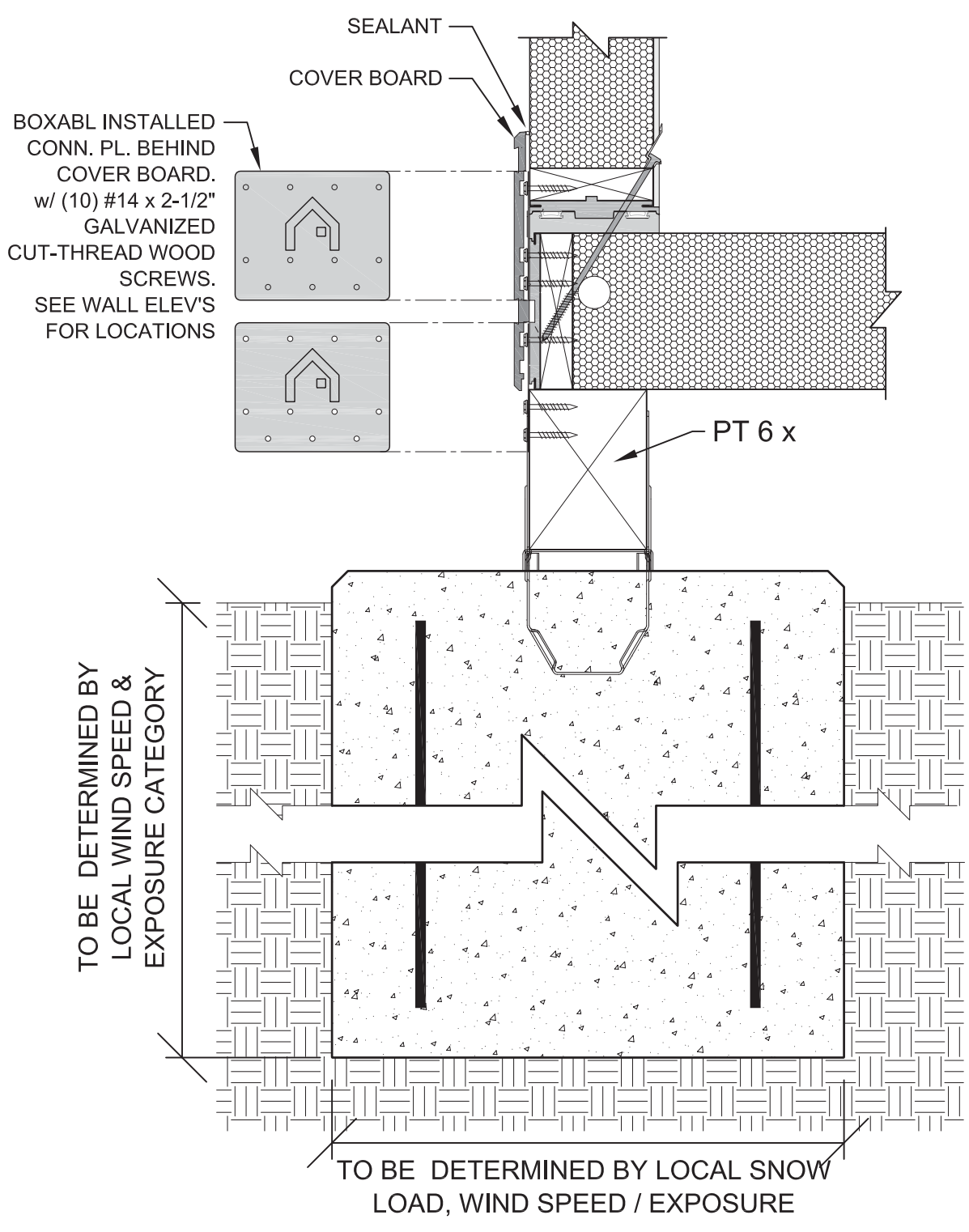


4

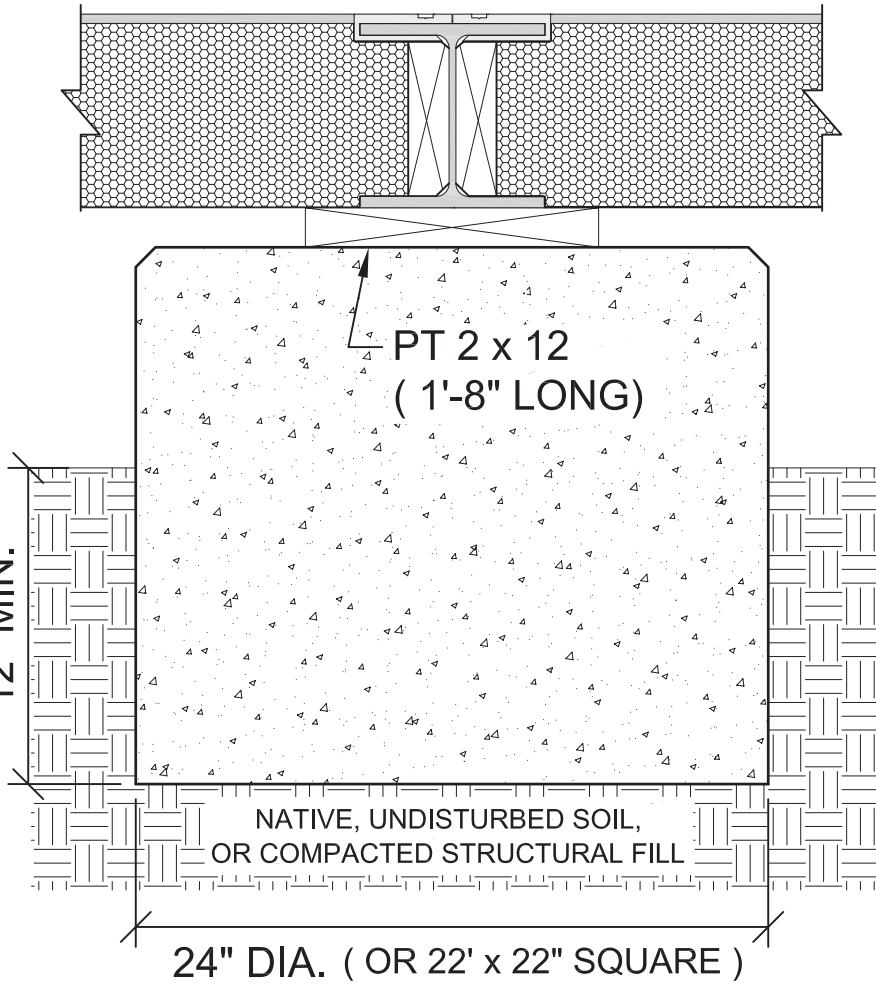
3

2

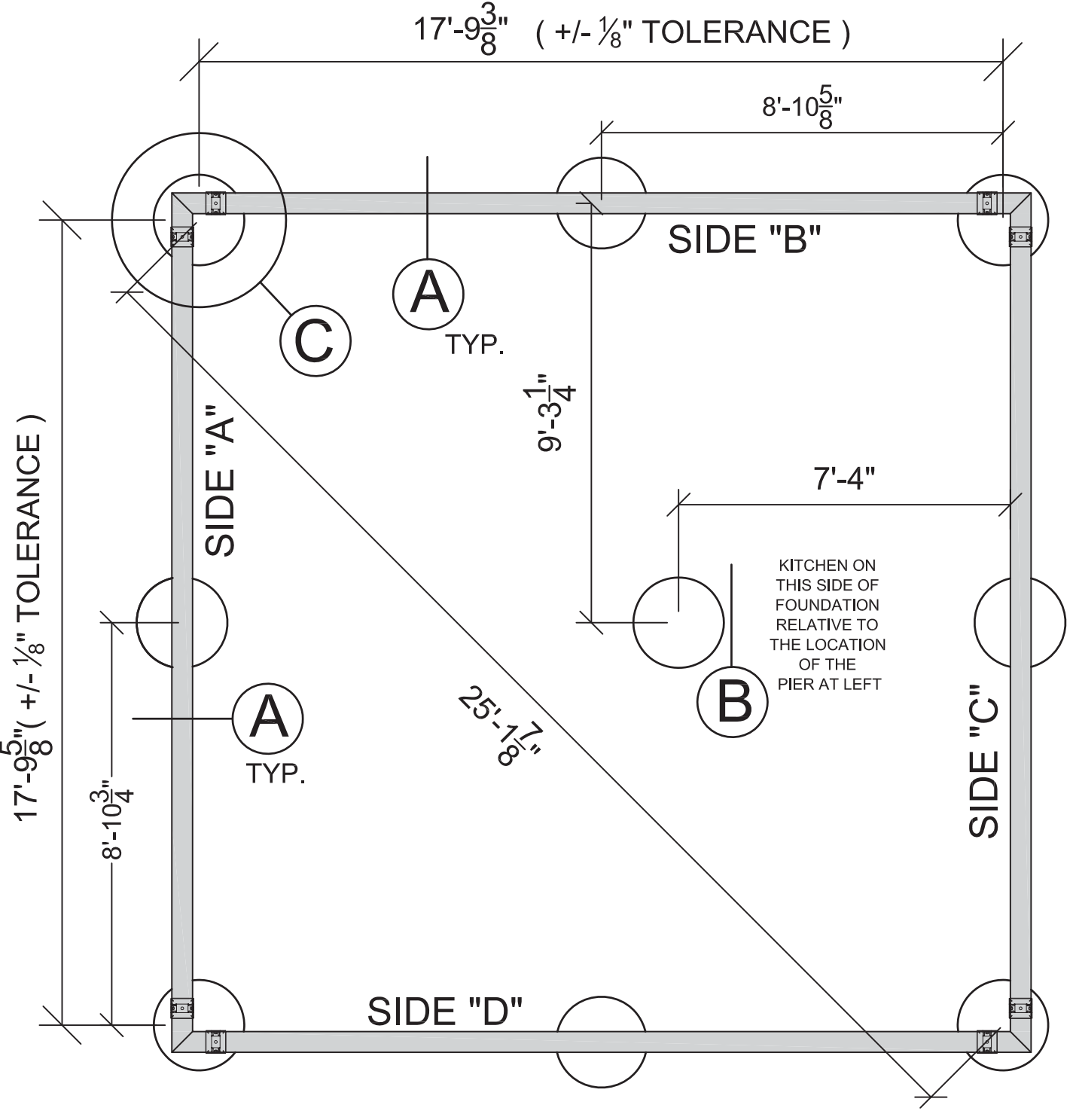
1



A TYPICAL PERIMETER PIER
SCALE: NONE



B INTERIOR FOOTING
SCALE: NONE



FOUNDATION PLAN

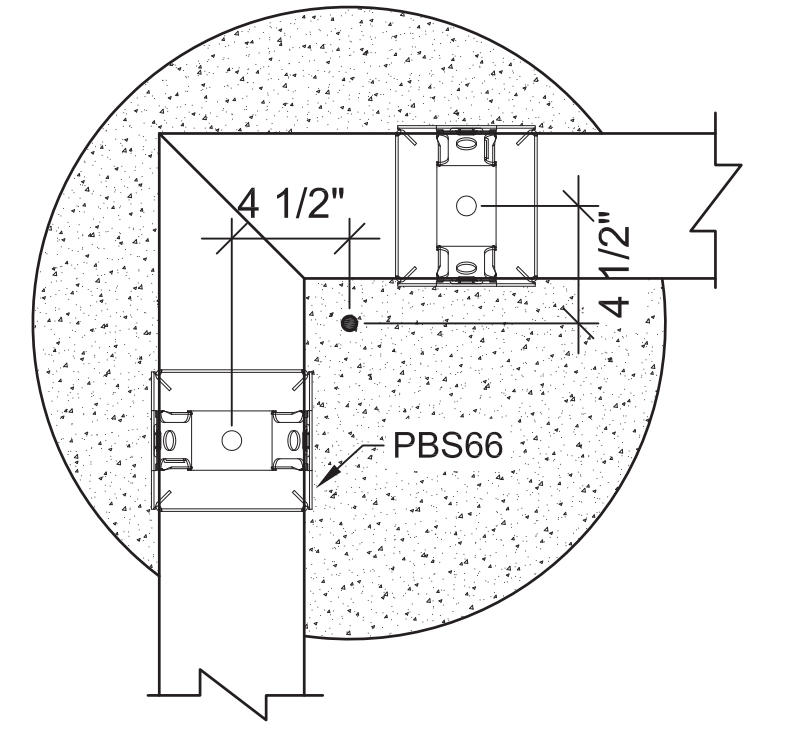
NOTES:

CONCRETE TO HAVE A 28 DAY COMPRESSIVE STRENGTH, $f_c = 2,500$ psi.

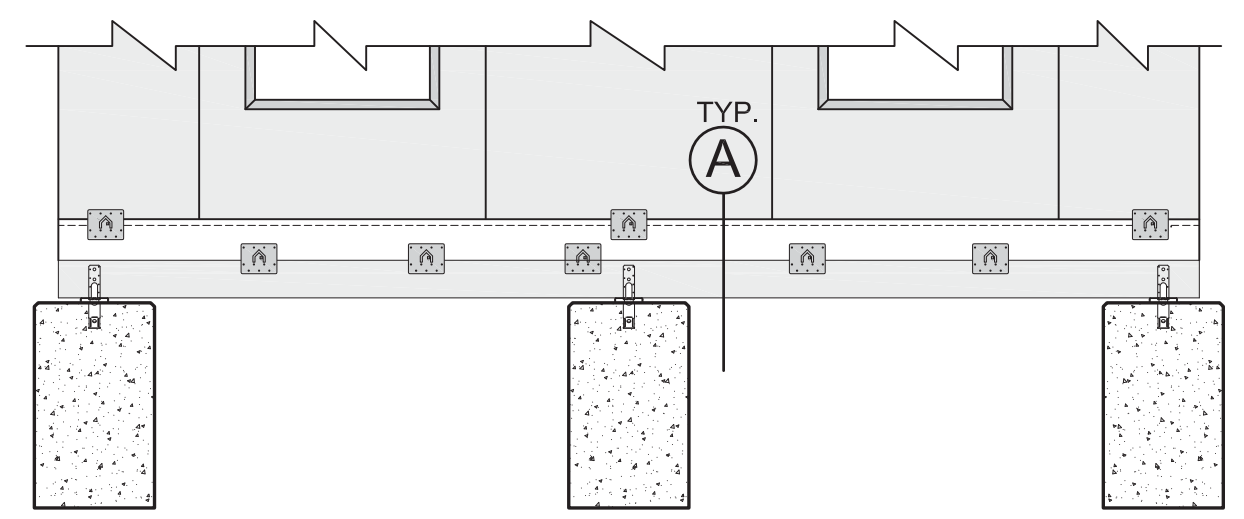
REINFORCEMENT TO BE ASTM GR. 40

PROVIDE 90 DEG. BENT #4 BARS w/ 18" LEGS AT CORNERS. TIED TO MAIN. REINF.

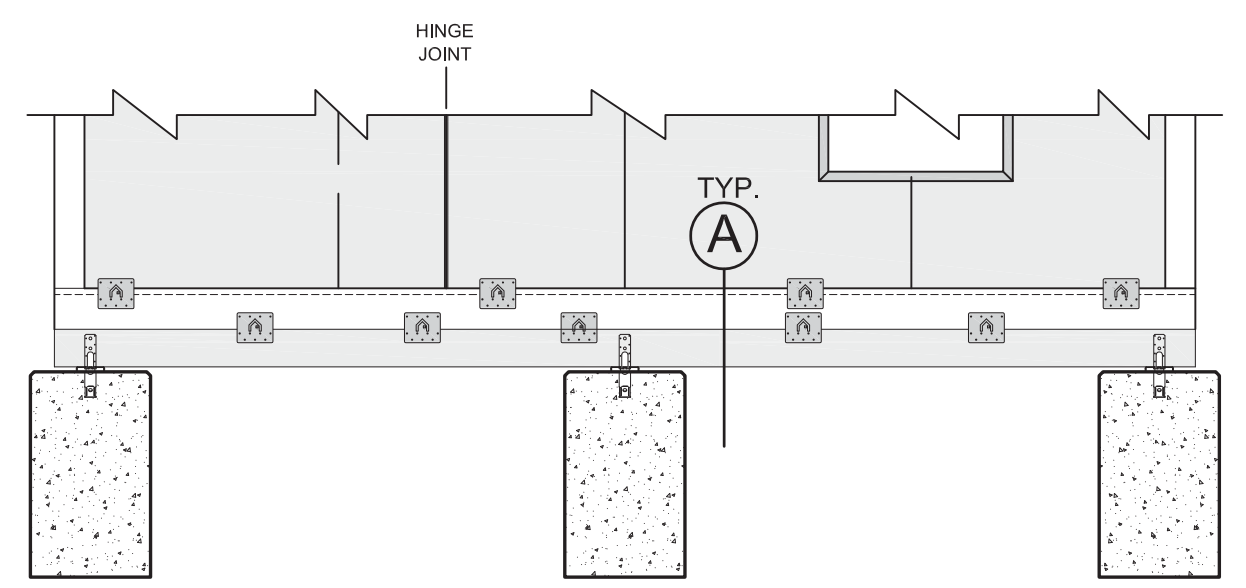
1,500 PSF ALLOWABLE SOIL BEARING PRESSURE ASSUMED. FOUNDATION IS NOT SUITABLE WHERE EXPANSIVE SOILS EXIST. OR SOILS SUBJECT TO LIQUEFACTION.



C CORNER PIERS
SCALE: NONE

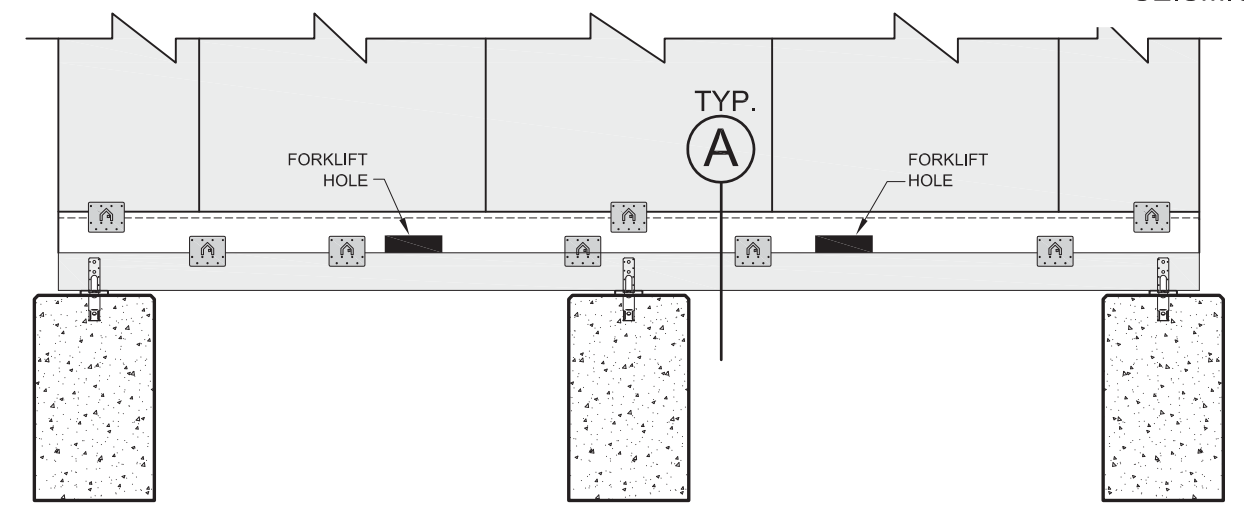


SIDE "A"
EXTERIOR VIEW

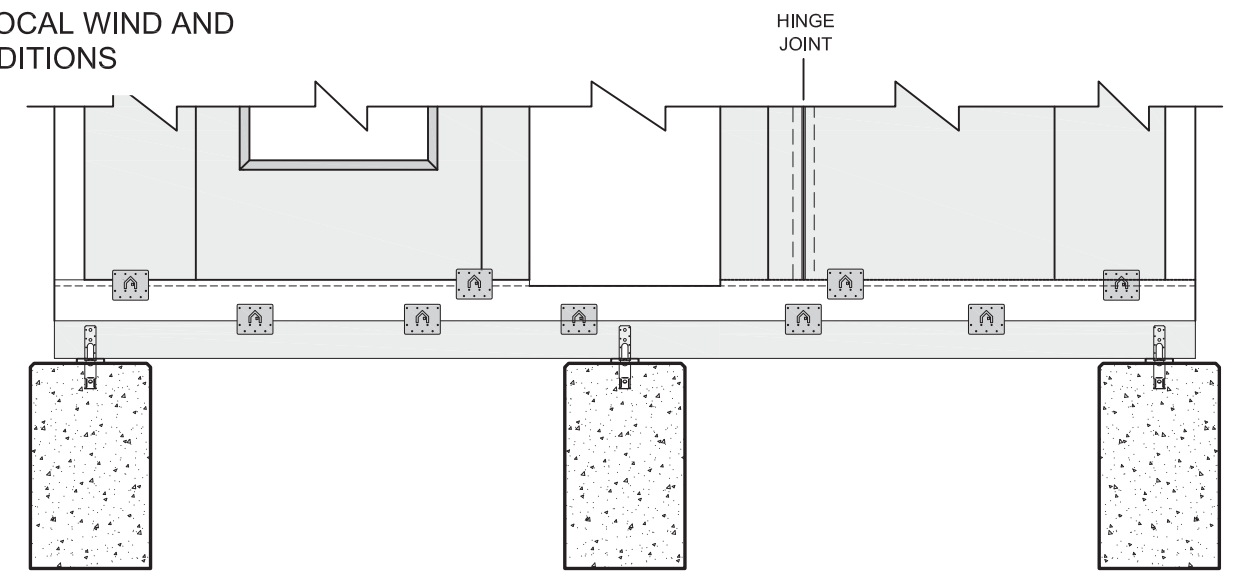


SIDE "B"
EXTERIOR VIEW

THE SPECIFIC NUMBER AND SPACING OF CONNECTION PLATES SHOWN SHOULD BE CONSIDERED GENERIC & CONCEPTUAL UNTIL DETERMINED BY A LICENSED STRUCTURAL ENGINEER TO ACCOMMODATE LOCAL WIND AND SEISMIC CONDITIONS



SIDE "C"
EXTERIOR VIEW



SIDE "D"
EXTERIOR VIEW

BOXABL
5345 East North Belt Road
N. Las Vegas, NV 89115
www.BOXABL.COM

LOCATION:

MODEL:
1 STORY BOXABL CASITA

NOTES:
CONCRETE PIER & WOOD BEAM FOUNDATION

CONCEPTUAL, NOT FOR CONSTRUCTION

PROPRIETARY AND CONFIDENTIAL
THE INFORMATION CONTAINED IN THIS DRAWING IS THE SOLE PROPERTY OF BOXABL INC. ANY REPRODUCTION IN PART OR AS A WHOLE WITHOUT THE WRITTEN PERMISSION OF BOXABL INC. IS PROHIBITED.

SCALE: NONE

DRAWN BY: MN

REVIEWED BY:

REVISION DATE:

ISSUE DATE: 10-14-22

SHEET: **F1**