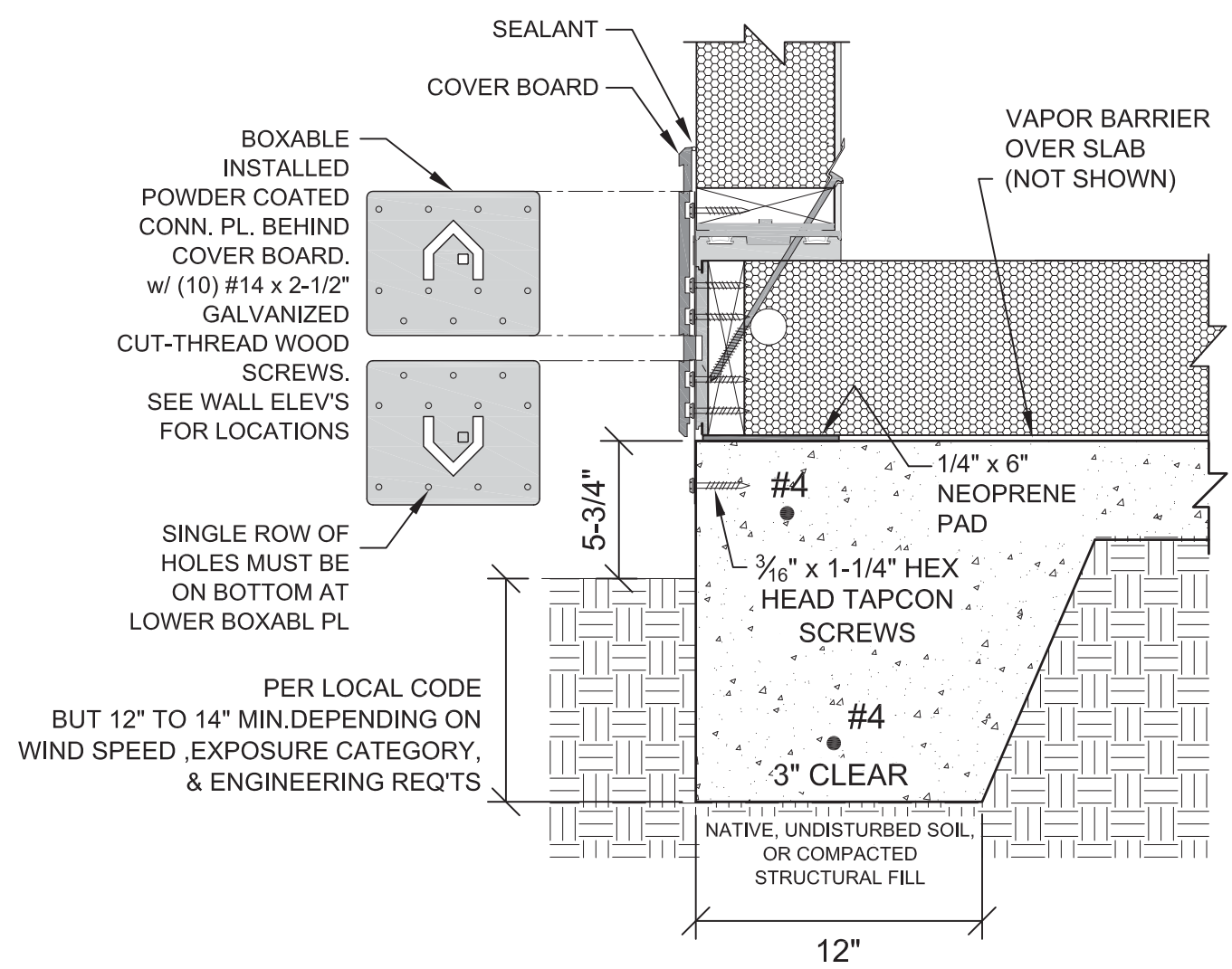


4

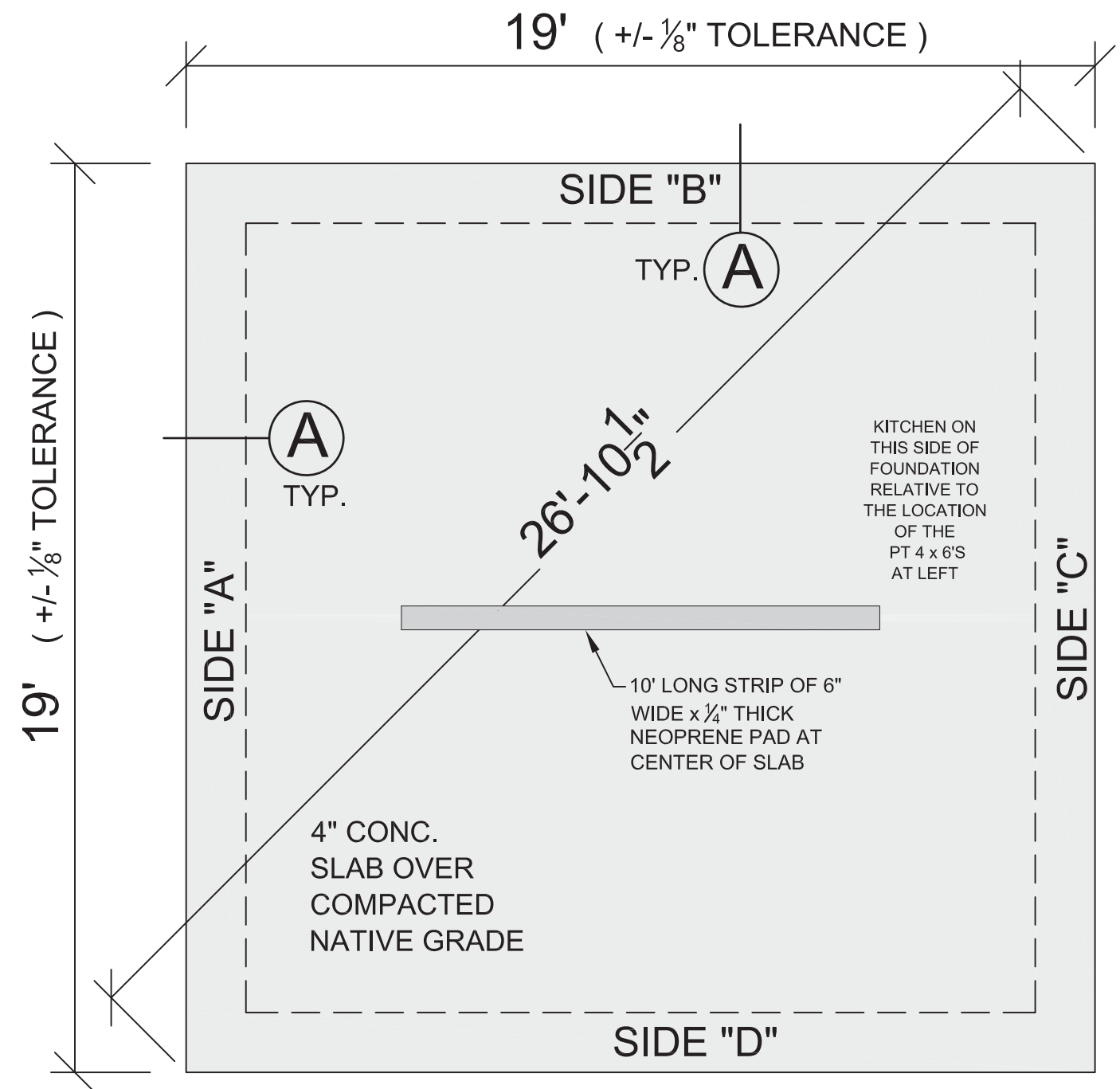
3

2

1

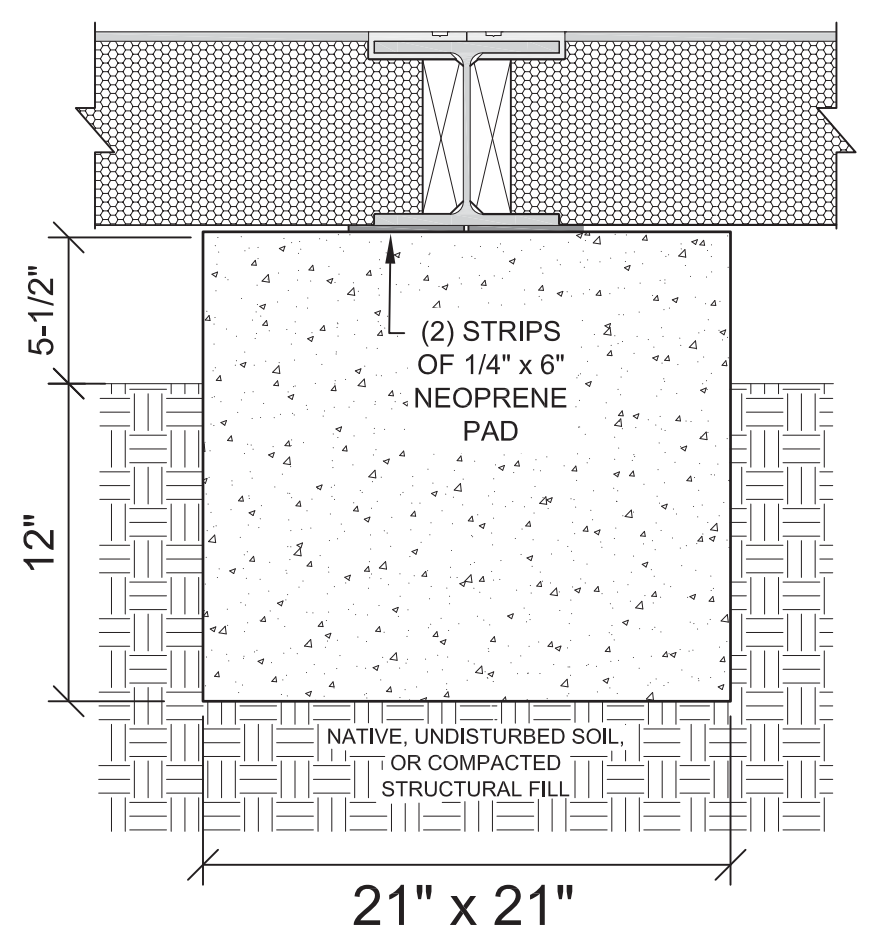


A TYPICAL PERIMETER FOOTING
SCALE: NONE

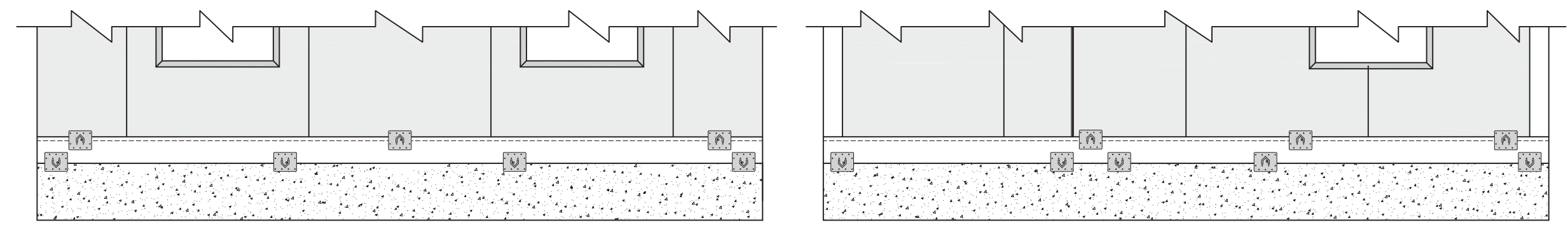


- NOTES:**
- TOP SURFACE OF PERIMETER CONCRETE STEMWALL SHALL BE FLAT AND LEVEL TO WITHIN 1/8" BETWEEN ANY TWO POINTS AROUND THE PERIMETER.
 - CONCRETE TO HAVE A 28 DAY COMPRESSIVE STRENGTH, $f_c = 2,500$ psi.
 - REINFORCEMENT TO BE ASTM GR. 40
 - PROVIDE 90 DEG. BENT #4 BARS w/ 18" LEGS AT CORNERS. TIED TO MAIN. REINF.
 - 1,500 PSF ALLOWABLE SOIL BEARING PRESSURE ASSUMED. FOUNDATION IS NOT SUITABLE WHERE EXPANSIVE SOILS EXIST. OR SOILS SUBJECT TO LIQUEFACTION.

1-STORY FOUNDATION PLAN



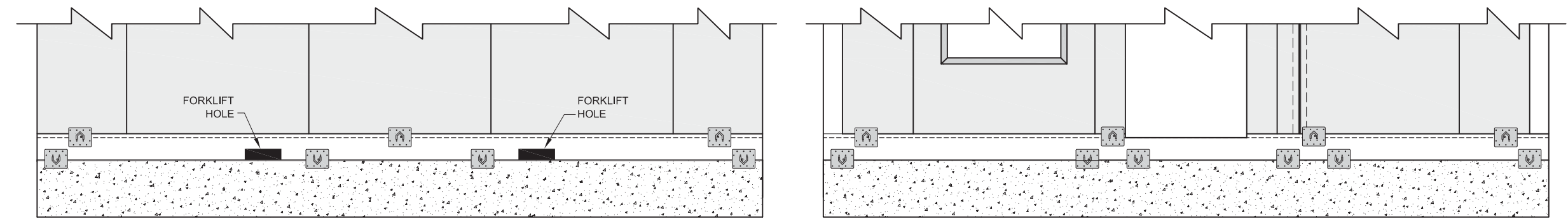
B INTERIOR BEAM SUPPORT
SCALE: NONE



LEFT SIDE

BACK SIDE

THE SPECIFIC NUMBER AND SPACING OF CONNECTION PLATES SHOWN SHOULD BE CONSIDERED GENERIC & CONCEPTUAL UNTIL DETERMINED BY A LICENSED STRUCTURAL ENGINEER TO ACCOMMODATE LOCAL WIND AND SEISMIC CONDITIONS



RIGHT SIDE

FRONT SIDE

BOXABL
5345 East North Belt Road
N. Las Vegas, NV 89115
www.BOXABL.COM

LOCATION:

MODEL:
1 STORY BOXABL CASITA

NOTES:

THICKENED CONCRETE SLAB EDGE FOUNDATION

CONCEPTUAL, NOT FOR CONSTRUCTION

PROPRIETARY AND CONFIDENTIAL
THE INFORMATION CONTAINED IN THIS DRAWING IS THE SOLE PROPERTY OF BOXABL INC. ANY REPRODUCTION IN PART OR AS A WHOLE WITHOUT THE WRITTEN PERMISSION OF BOXABL INC. IS PROHIBITED.

SCALE: NONE

DRAWN BY: MN

REVIEWED BY:

REVISION DATE:

ISSUE DATE: 10-14-22

SHEET: **F1**